

NEPAL II

by José Ignacio Ballester

New



NEPAL II

by José Ignacio Ballester

New



NEPAL II

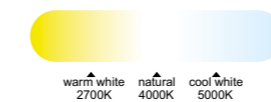
by José Ignacio Ballester

New



Ref	K	CRI	W	Lumen útiles	Lumen	Acabado Finish	Motor
9043	2700-5000K	≥ 80	32W	2200lm	4000lm	Blanco White	32W
9044	2700-5000K	≥ 80	32W	2200lm	4000lm	Negro+Madera Wood+Black	32W
9045	2700-5000K	≥ 80	32W	2200lm	4000lm	Blanco+Madera Wood+White	32W

Velocidad Speeds	Sleep mode	1	2	3	4	5	6
Potencia Power	3.5	3.5	7	9.5	12.5	21.5	32
RPM	145	145	200	225	240	285	310
Flujo de aire Airflow(m³/h)	2700	2700	3350	4200	4800	5400	6200
Nivel sonoro Sound level (dB(a))	32	32	36	38	40	43	47



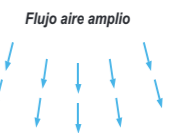
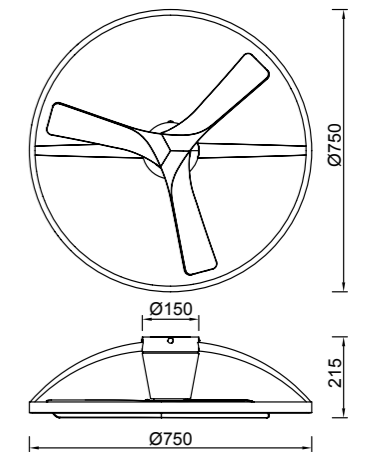
WINTER



SUMMER



RF R00143 (433MHz)



INSTALAR



PROMOCIÓN

